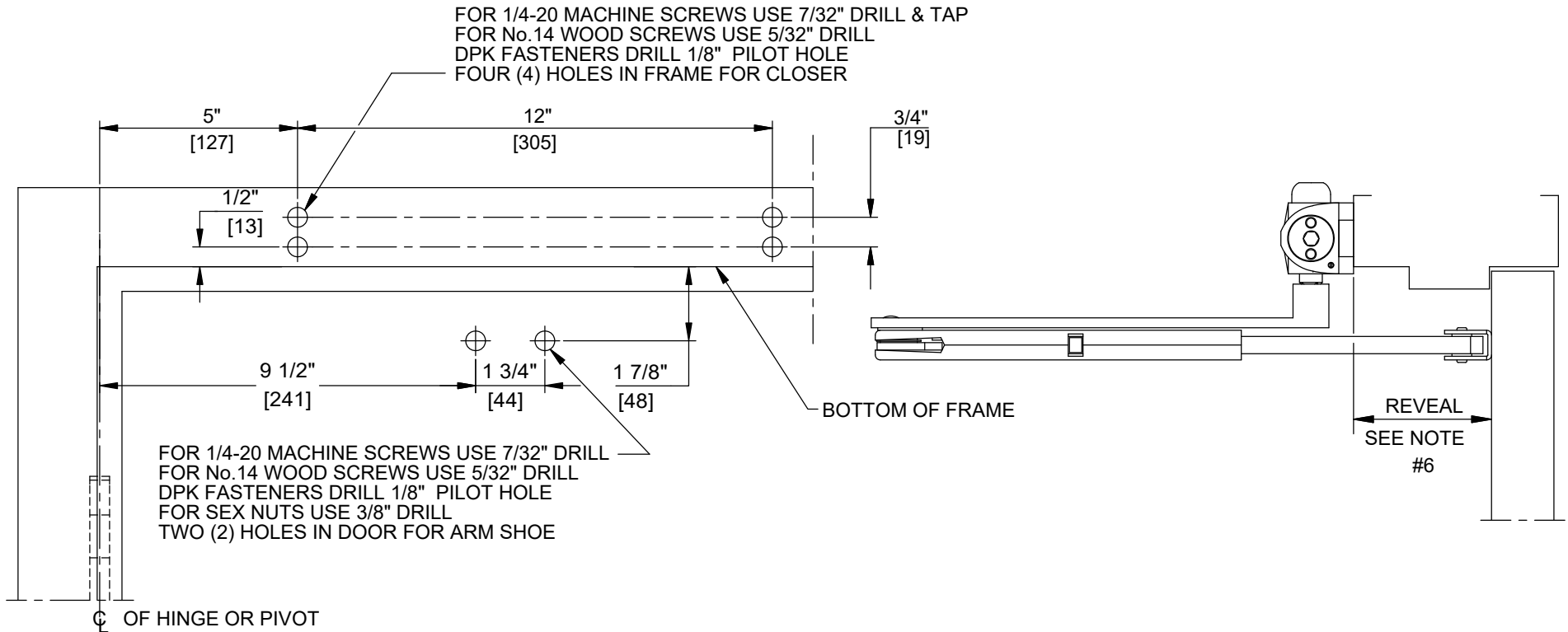


NOTES:

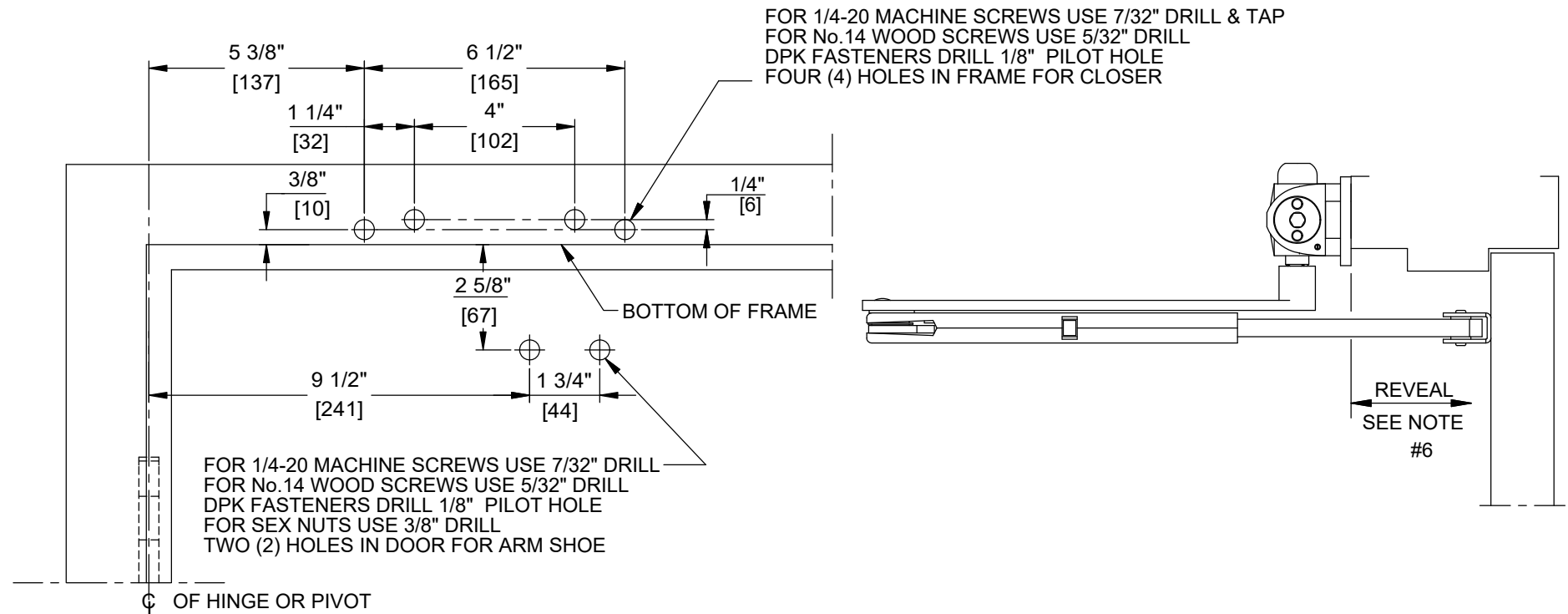
1. DO NOT SCALE DRAWING.
2. DIMENSIONS ARE IN INCHES/(MM).
3. LEFT HAND DOOR SHOWN.
4. CAUTION: SEX NUTS ARE REQUIRED FOR ATTACHMENT OF COMPONENTS TO UNREINFORCED DOORS AND TO WOOD OR PLASTIC FACED COMPOSITE TYPE FIRE DOORS, UNLESS AN ALTERNATIVE METHOD IS IDENTIFIED IN THE INDIVIDUAL DOOR MANUFACTURER'S LISTINGS.
5. MAX. OPENING IS 180°.
6. SEE CATALOG FOR REVEAL INFORMATION.
7. HOLD OPEN RANGE 35°-115°.
8. OPTIONAL DPK FASTENERS (DPK86) FOR STEEL DOOR & FRAME ONLY.



DOOR CLOSER MODELS: 8616 PHJ
 TOP JAMB INSTALLATION (PUSH SIDE MOUNT)
 PLUNGER HOLD OPEN ARM

NOTES:

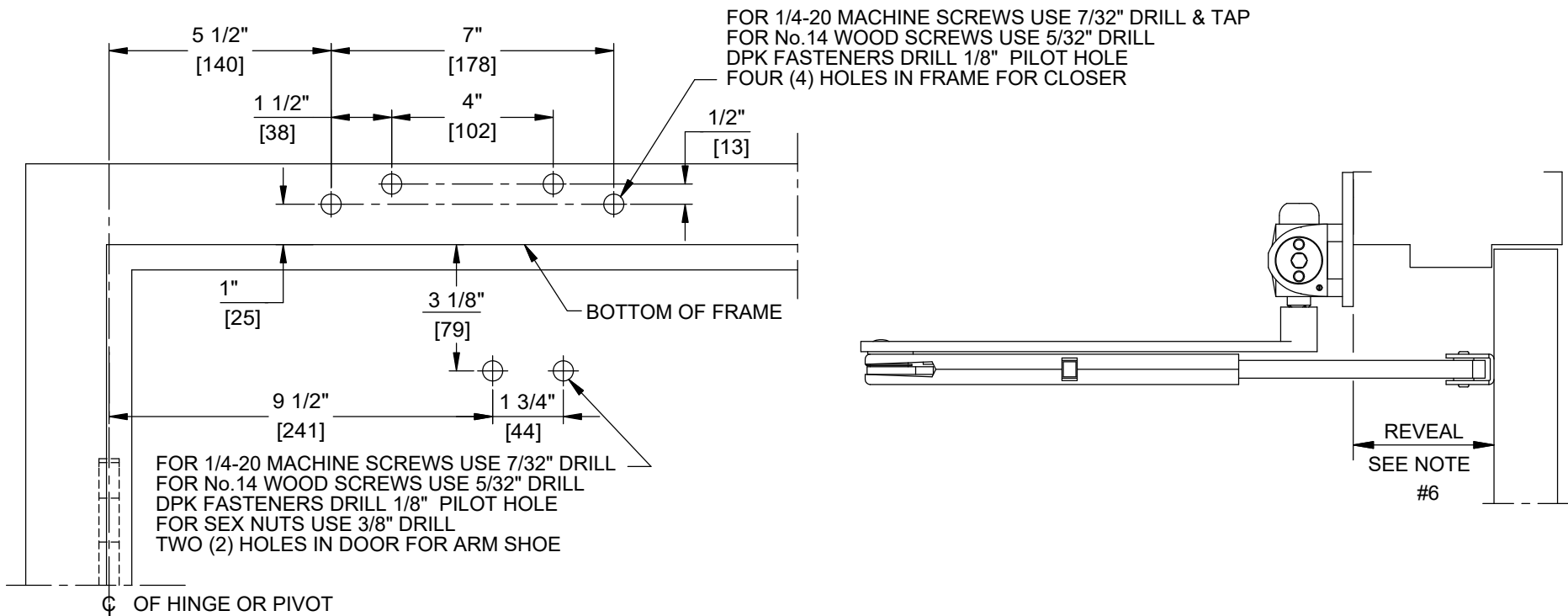
1. DO NOT SCALE DRAWING.
2. DIMENSIONS ARE IN INCHES/(MM).
3. LEFT HAND DOOR SHOWN.
4. CAUTION: SEX NUTS ARE REQUIRED FOR ATTACHMENT OF COMPONENTS TO UNREINFORCED DOORS AND TO WOOD OR PLASTIC FACED COMPOSITE TYPE FIRE DOORS, UNLESS AN ALTERNATIVE METHOD IS IDENTIFIED IN THE INDIVIDUAL DOOR MANUFACTURER'S LISTINGS.
5. MAX. OPENING IS 180°.
6. SEE CATALOG FOR REVEAL INFORMATION.
7. HOLD OPEN RANGE 35°-115°.
8. OPTIONAL DPK FASTENERS (DPK86) FOR STEEL DOOR & FRAME ONLY.



DOOR CLOSER MODELS: 8616 PHJ
 TOP JAMB INSTALLATION (PUSH SIDE MOUNT)
 PLUNGER HOLD OPEN ARM
 WITH PLATES BP86, BP86FC

NOTES:

1. DO NOT SCALE DRAWING.
2. DIMENSIONS ARE IN INCHES/(MM).
3. LEFT HAND DOOR SHOWN.
4. CAUTION: SEX NUTS ARE REQUIRED FOR ATTACHMENT OF COMPONENTS TO UNREINFORCED DOORS AND TO WOOD OR PLASTIC FACED COMPOSITE TYPE FIRE DOORS, UNLESS AN ALTERNATIVE METHOD IS IDENTIFIED IN THE INDIVIDUAL DOOR MANUFACTURER'S LISTINGS.
5. MAX. OPENING IS 180°.
6. SEE CATALOG FOR REVEAL INFORMATION.
7. HOLD OPEN RANGE 35°-115°.
8. OPTIONAL DPK FASTENERS (DPK86) FOR STEEL DOOR & FRAME ONLY.



DOOR CLOSER MODELS: 8616 PHJ
 TOP JAMB INSTALLATION (PUSH SIDE MOUNT)
 PLUNGER HOLD OPEN ARM
 WITH PLATE DP86